



RHINO-RACK

CONTROLLED

PIONEER ALLOY TRAY (assembled)

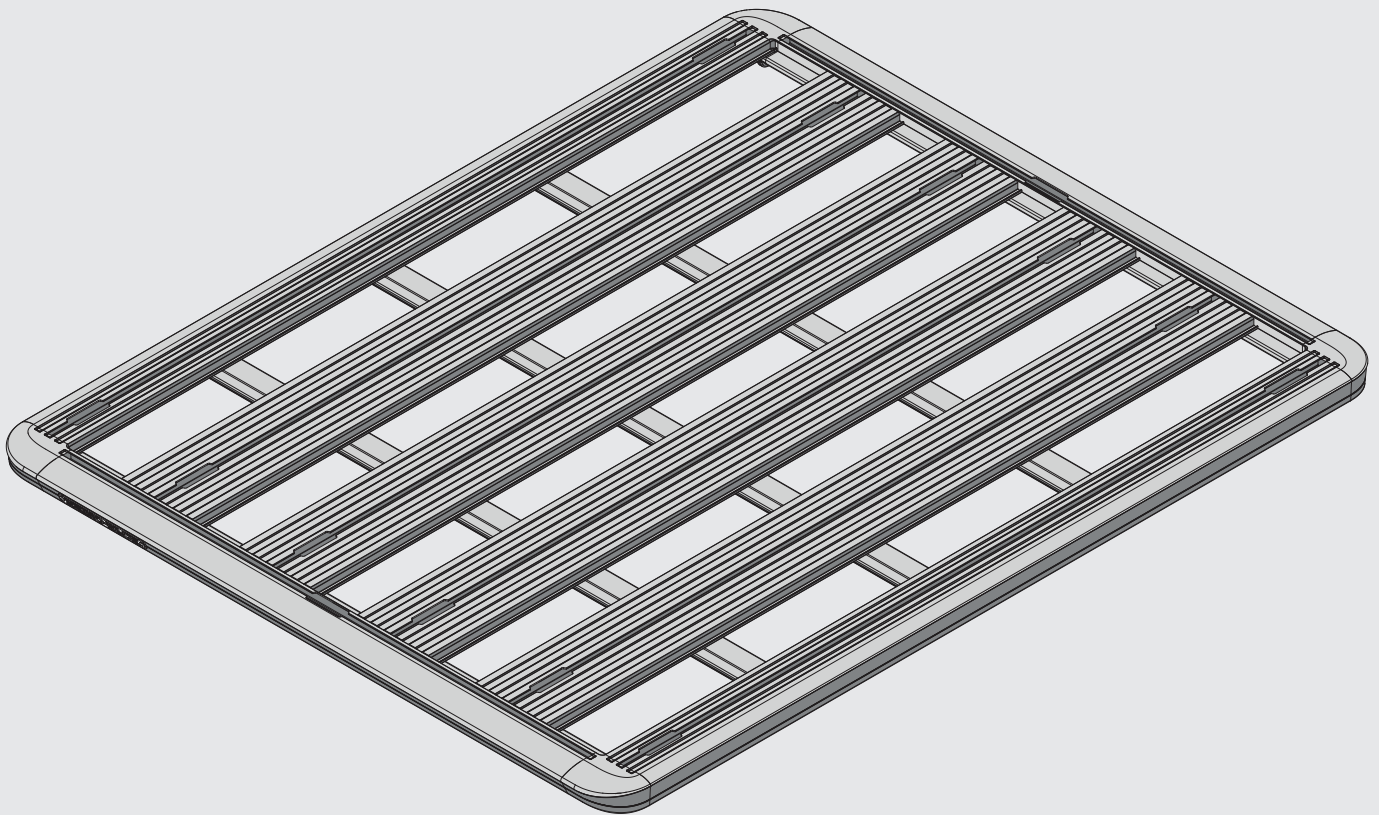
Important:

1. Check the Rhino-Rack website to ensure you have the latest issue of these instructions.
2. Please refer to your fitting instruction to ensure that the roof racks are installed in the correct locations.
3. Check the contents of kit before commencing fitment and report any discrepancies.
4. Place these instructions in the vehicle's glove box after installation is complete.
5. These instructions must be followed for warranty to be upheld.

Fit Time: 1 hour



rhinorack.page.
link/FitMyCar



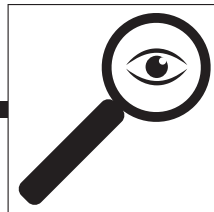
Pioneer Fully Assembled Instructions

Maximum Carrying Capacity:

Refer to Pioneer fit sheet



rhinorack.page.link/FitMyCar



VEH		EXAMPLE ONLY						HEIGHT ADDED (mm / in)	
SAMMITR Gen 1 / 2									
IMPORTANT NOTES									
To suit Dual Cab sites									
REGION	AUS	NZ	LISA	CA	SA	UK	EU	ZA	
AVAILABILITY	✓	✓	✗	✗	✗	✗	✗	✗	
RUNNING DATES	08/16 -	08/16 -	-	-	-	-	-	-	
UNDERBAR SPACING									
BAR NO.	A	B	C	D	E	F	G		
DIMENSION (CM)	23	0	51.5						
SPACERS REQ'D	VA-PK1 / RTW01		VA-PK1 / RTW01						
CONNECTOR	RLTP		RLTP						
VEHICLE LOAD LIMIT (VLL) (kg / lbs)	SYSTEM WEIGHT (SW) (kg / lbs)		ON-ROAD CARGO ALLOW. (OR) (kg / lbs)		OFF-ROAD CARGO ALLOW. (OFR) (kg / lbs)				
Up to 100 / 220.5*	22 / 48.5		OR = VLL - SW		OFR = OR / 1.5				
*CHECK YOUR VEHICLE OWNERS HANDBOOK FOR VEHICLE MAXIMUM CARRYING CAPACITY. PLEASE ENSURE YOU USE THE VEHICLE MANUFACTURERS MAXIMUM ROOF ALLOWANCE IF IT IS LOWER THAN THE FIGURE LISTED IN THIS INSTRUCTION.									
NOTES FOR DEALERS / FITTERS It is your responsibility to ensure these fitting instructions are given to the end user or client.								Document No. R2042 Issue No. 11 Issue Date: 19-Mar-23 These instructions remain the property of Rhino-Rack Australia Pty Ltd. and may not be used or changed for any other purpose than intended.	
rhinorack.com.au									

Off Road: Any driven path taken that does not contain a surface protection layer (tar/bitumen).

Vehicle Load Limit: Total permissible weight attached to the roof of the car. This is inclusive of the weight of the roof rack system.

System Load Limit: Total permissible weight allowed on top, and attached to roof racks whilst the vehicle is in motion.

Static Allowance: Total permissible weight allowed on top, and attached to roof racks whilst the vehicle is stationary.

Please refer to your vehicle manufacturers handbook for maximum roof allowance. Please ensure you use the vehicle manufactures maximum roof allowance if it is lower than the figure listed in this instruction. Load must be evenly distributed over the platform.

Torque Settings

Unless stated otherwise in these instructions, all fasteners should be set to the following torque settings - M6: 4-5Nm (3-4lbs/ft), M8: 8-10Nm (6-7.5lbs/ft) and M10: 16-18Nm (12-13lbs/ft).

Warning

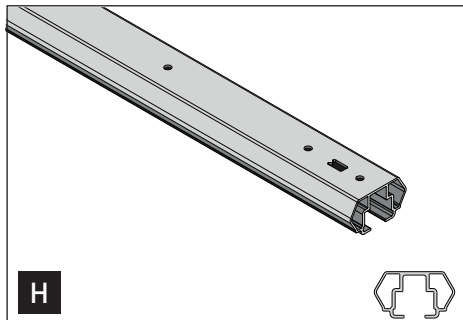
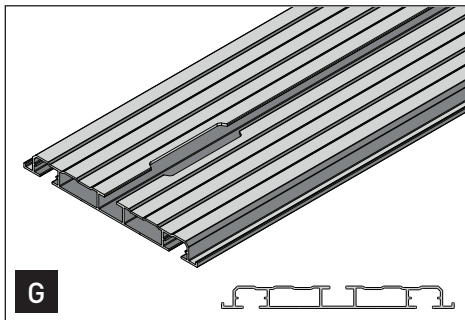
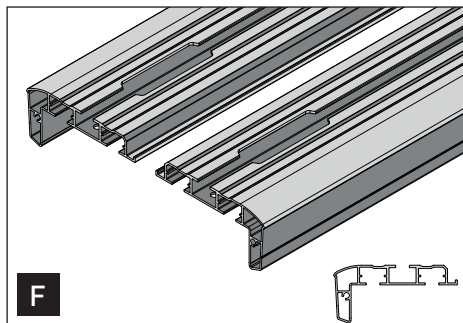
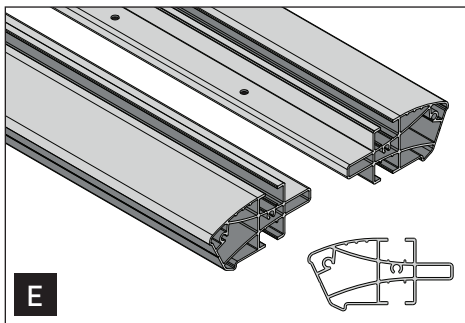
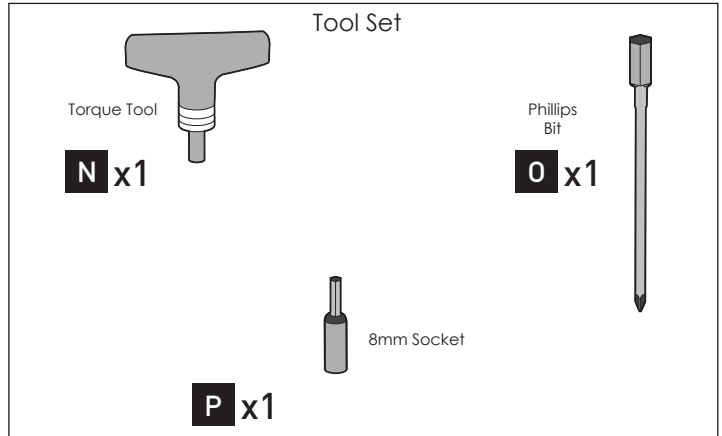
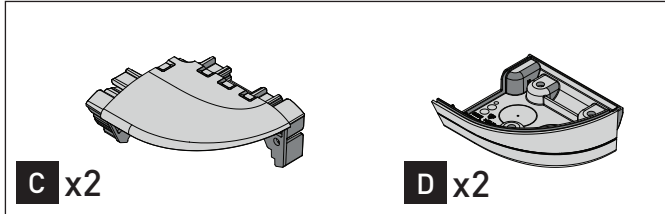
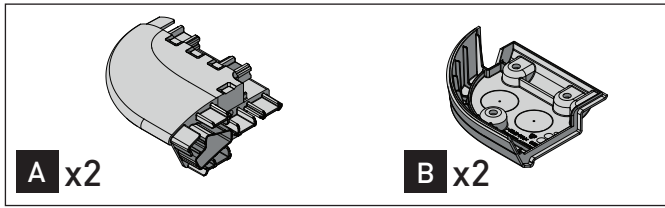
- Check Platform # is correct for use with your vehicle.
- Do not attempt to fit the rack system to your vehicle unless you fully understand these fitting instructions. Please direct any questions regarding fitting to the dealer from where the roof racks were purchased.
- Although the system is tested and approved to AS1235-2000 / ISO 11154, off-road conditions can be much more rigorous. Extreme care must be taken in off road conditions.
- Roof racks must be removed when vehicle is put through an automatic car wash.
- With utility vehicles, the cabin and the canopy move independently. Roofracks and vehicle can be damaged if the item transported is rigidly fixed at points on both the cabin and canopy. Instead, rigidly fix to either the cabin roof racks or the canopy roof racks.
- Always ensure you fasten your load securely.
- Use only non-stretch fastening ropes or straps to attach cargo to your load.

In service maintenance checks

- All bolt connections should be checked after driving a short distance when you first install your roof racks.
- All bolted connections should be checked again at regular intervals (weekly is recommended, depending on road conditions, usage, loads and distances travelled).
- All bolted connections should be checked each time they are re-fitted.

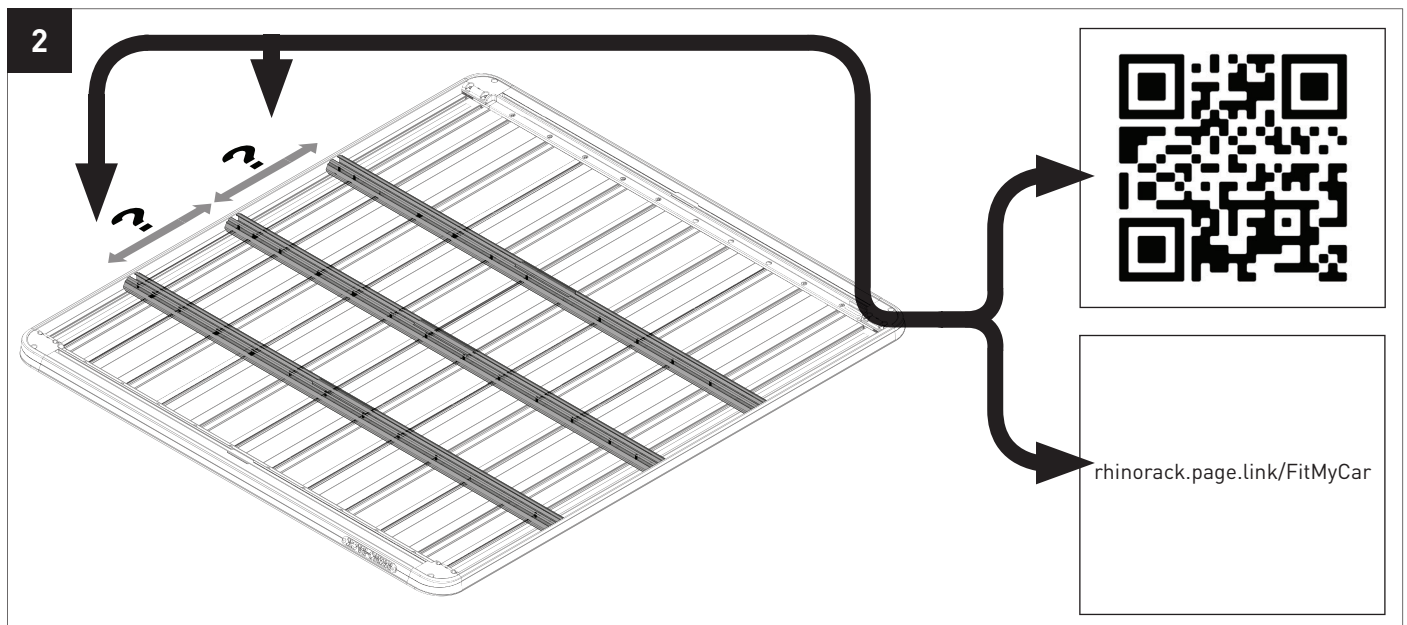
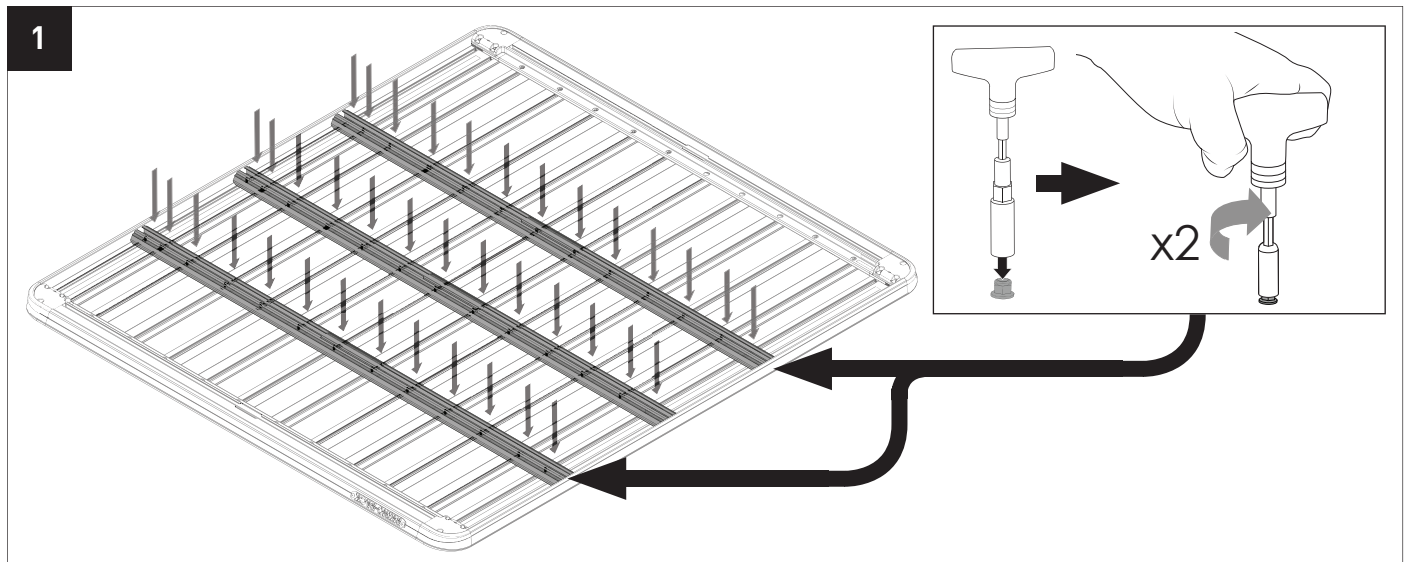
Note for Dealers and Fitters

It is your responsibility to ensure these fitting instructions are given to the end user or client. These instructions remain the property of Rhino-Rack Australia Pty. Ltd. and may not be used or changed for any other purpose than intended.



Platform #	L x W (mm)	L x W (inches)	G	H	I	J	K	L	M
52100	1528 x 1236	60' x 49'	4	3	52	52	12	16	6
52101	1528 x 1376	60' x 54'	5	3	62	62	12	16	6
52102	1928 x 1236	76' x 49'	4	5	76	76	12	16	6
52103	1928 x 1376	76' x 54'	5	5	90	90	12	16	6
52104	2128 x 1426	84' x 5'	5	5	90	90	12	16	N/A
52105	2728 x 1465	107' x 58'	5	6	104	104	12	16	N/A
52107	2128 x 1236	84' x 49'	4	5	76	76	12	16	N/A
52108	1828 x 1426	72' x 56'	5	5	90	90	12	16	N/A
52109	1328 x 1236	52' x 49'	4	3	52	52	12	16	N/A
52110	1328 x 1376	52' x 54'	5	3	62	62	12	16	N/A
52111	1328 x 1426	52' x 56'	5	3	62	62	12	16	N/A
52112	928 x 1426	37' x 56'	5	2	48	48	12	16	N/A
52113	1528 x 1426	60' x 56'	5	5	90	90	12	16	N/A
52114	1228 x 952	48' x 37'	3	1	22	22	12	16	N/A
52115	1478 x 1184	58' x 47'	4	1	28	28	12	16	N/A
52119	2528 x 1586	100' x 62'	5	6	104	104	12	16	N/A
52120	1528 x 1840	60' x 72'	6	4	88	88	12	16	6

Pioneer Fully Assembled Instructions



3

RHINO-RACK | P11 EXAMPLE ONLY FITTING INFORMATION

VEHICLE	PIONEER SIZE	CONNECTOR	HEIGHT ADDED (mm / in)
SAMMITR Gen 1 / 2 Dual Cab Canopy dr	S2109	RLTP	

IMPORTANT NOTES To suit Dual Cab uses

REGION	AUS	NZ	USA	CA	SA	UK	EU	ZA
AVAILABILITY	✓	✓	x	x	x	x	x	x
RUNNING DATES	08/16 -	08/16 -	-	-	-	-	-	-

UNDERBAR SPACING

BAR NO.	A	B	C	D	E	F	G
DIMENSION (CM)	23	0	51.5				
SPACERS REQ'D	VA-FK1 / RTW01		VA-FK1 / RTW01				
CONNECTOR	RLTP		RLTP				

VEHICLE LOAD LIMIT (VLL)	SYSTEM WEIGHT (SW)	ON-ROAD CARGO ALLOW. (OR)	OFF-ROAD CARGO ALLOW. (OFR)
Up to 100 / 220.5*	22 / 48.5	OR = VLL - SW	OFR = OR / 1.5

*CHECK YOUR VEHICLE OWNERS HANDBOOK FOR VEHICLE MAXIMUM CARRYING CAPACITY. PLEASE ENSURE YOU USE THE VEHICLE MANUFACTURERS MAXIMUM ROOF ALLOWANCE IF IT IS LOWER THAN THE FIGURE LISTED IN THIS INSTRUCTION.

NOTES FOR DEALERS / FITTERS
It is your responsibility to ensure these fitting instructions.

Document No. R2122
Issue No. 1
Revised Date: 18 May 18

Pioneer Fully Assembled Instructions

4

RHINO-RACK PIONEER VEHICLE FITTING INFORMATION

VEHICLE	PIONEER SIZE	CONNECTOR	HEIGHT ADDED (mm / in)
RAMMTR Gen 1 / 2 Dual Cab	5210P	RLTP	

EXAMPLE ONLY

IMPORT/NOTES: To suit Dual Cab sites

REGION	AUS	NZ	USA	CA	SA	UK	EU	ZA
AVAILABLE	✓	✓	x	x	x	x	x	x
RUNNING DATA	08/16 -	08/16 -	-	-	-	-	-	-

UNDERBAY SPACING

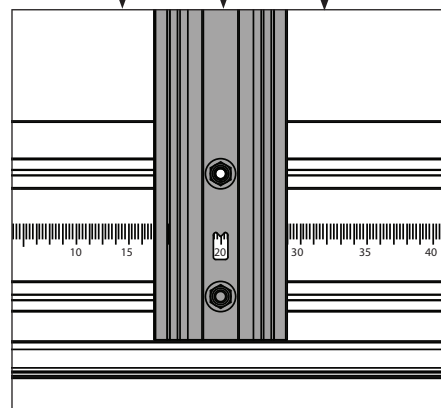
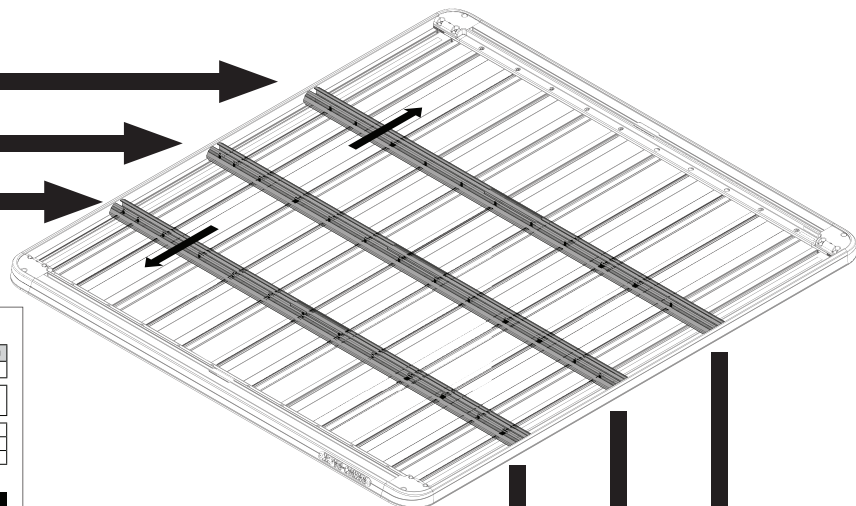
BAR NO.	A	B	C	D	E	F	G
DIMENSION (CM)	-22	0	51.5				
SPACERS REQ'D	VA-FK1 / (STW3)		VA-FK1 / (STW3)				
CONNECTOR	RLTP		RLTP				

VEHICLE LOAD LIMIT (VLL) (kg / lbs)	SYSTEM WEIGHT (SW) (kg / lbs)	ON-ROAD CARGO ALLOW. (ORI)	OFF-ROAD CARGO ALLOW. (OFRO)
Up to 100 / 220.5*	22 / 48.5	OR - VLL - SW	OFRO - OR / 1.5

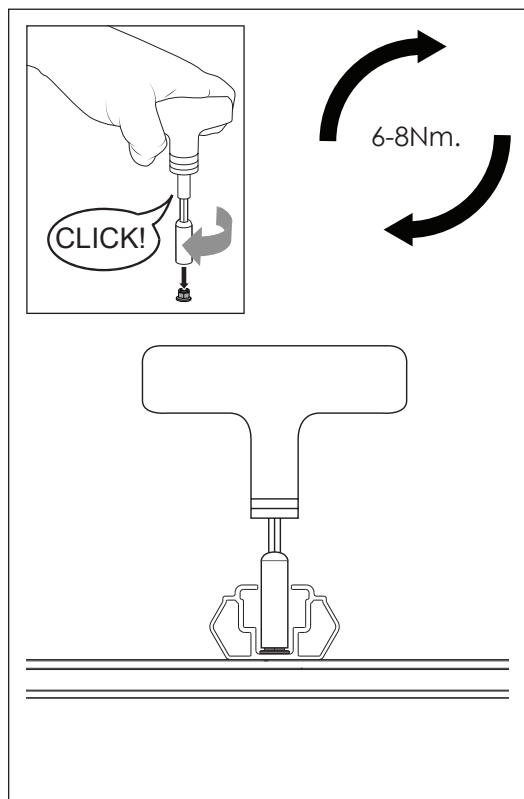
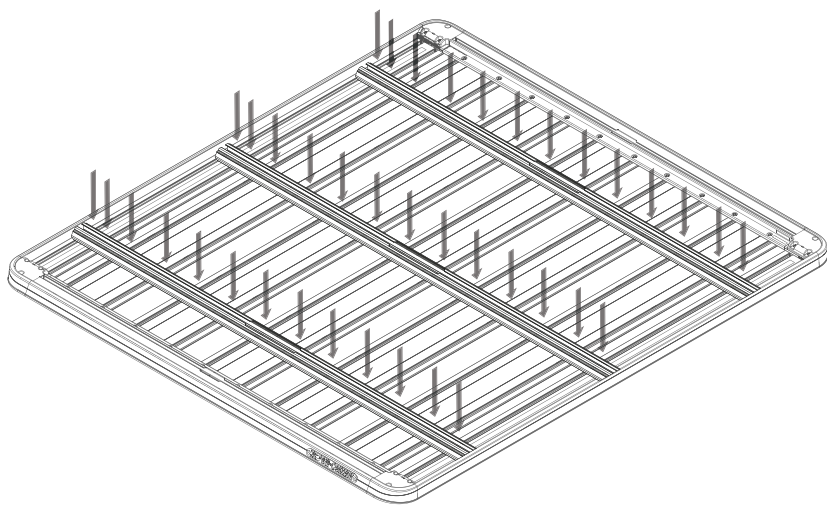
*CHECK YOUR VEHICLE OWNERS HAND BOOK FOR VEHICLE MAXIMUM CARRYING CAPACITY. PLEASE ENSURE YOU USE THE VEHICLE MANUFACTURERS MAXIMUM ROOF ALLOWANCE IF IT IS LOWER THAN THE FIGURES LISTED IN THIS INSTRUCTION.

NOTES FOR DEALERS / FITTERS

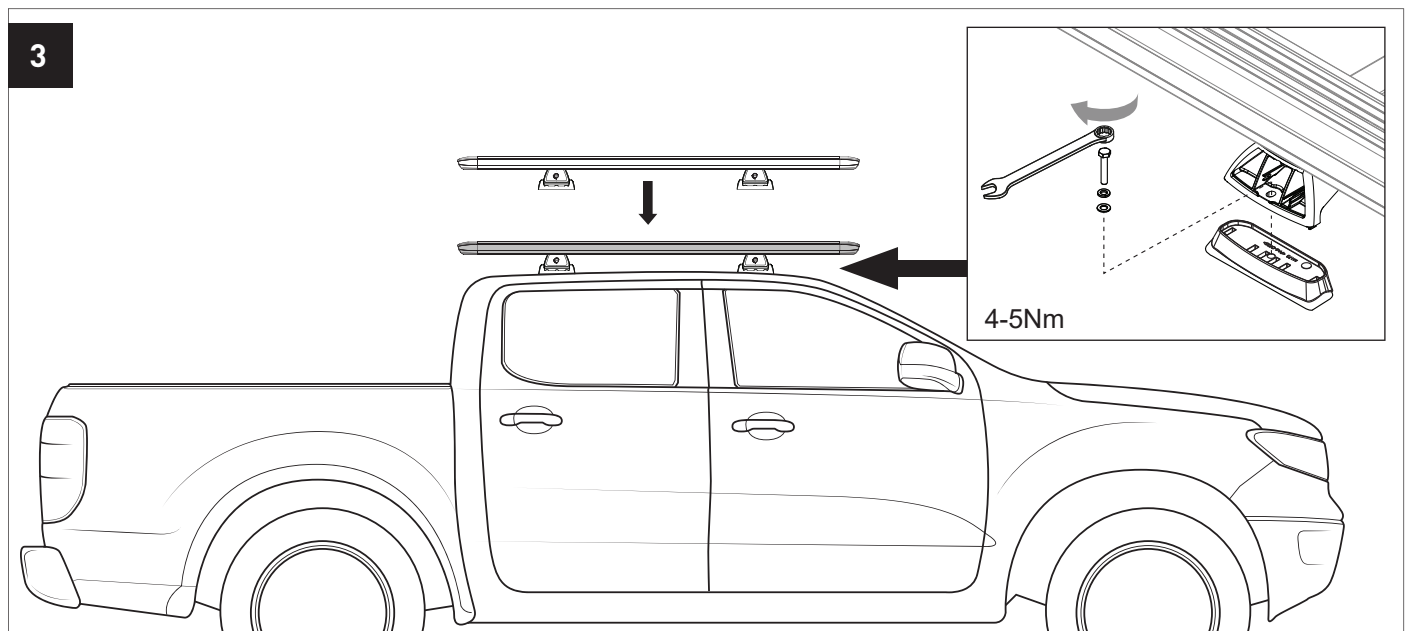
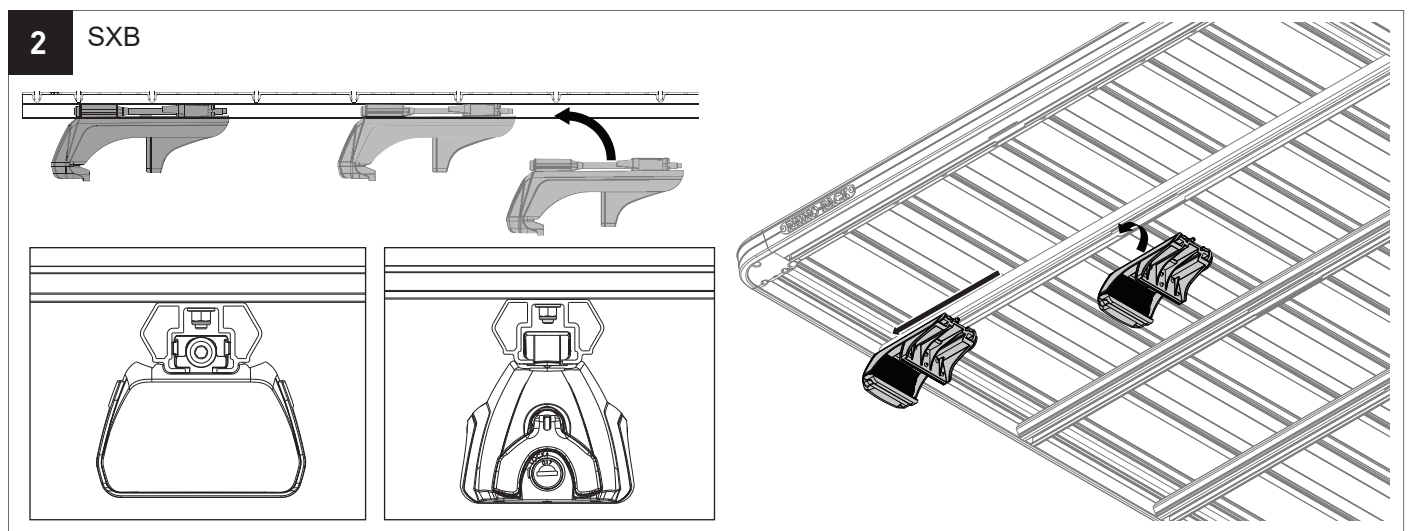
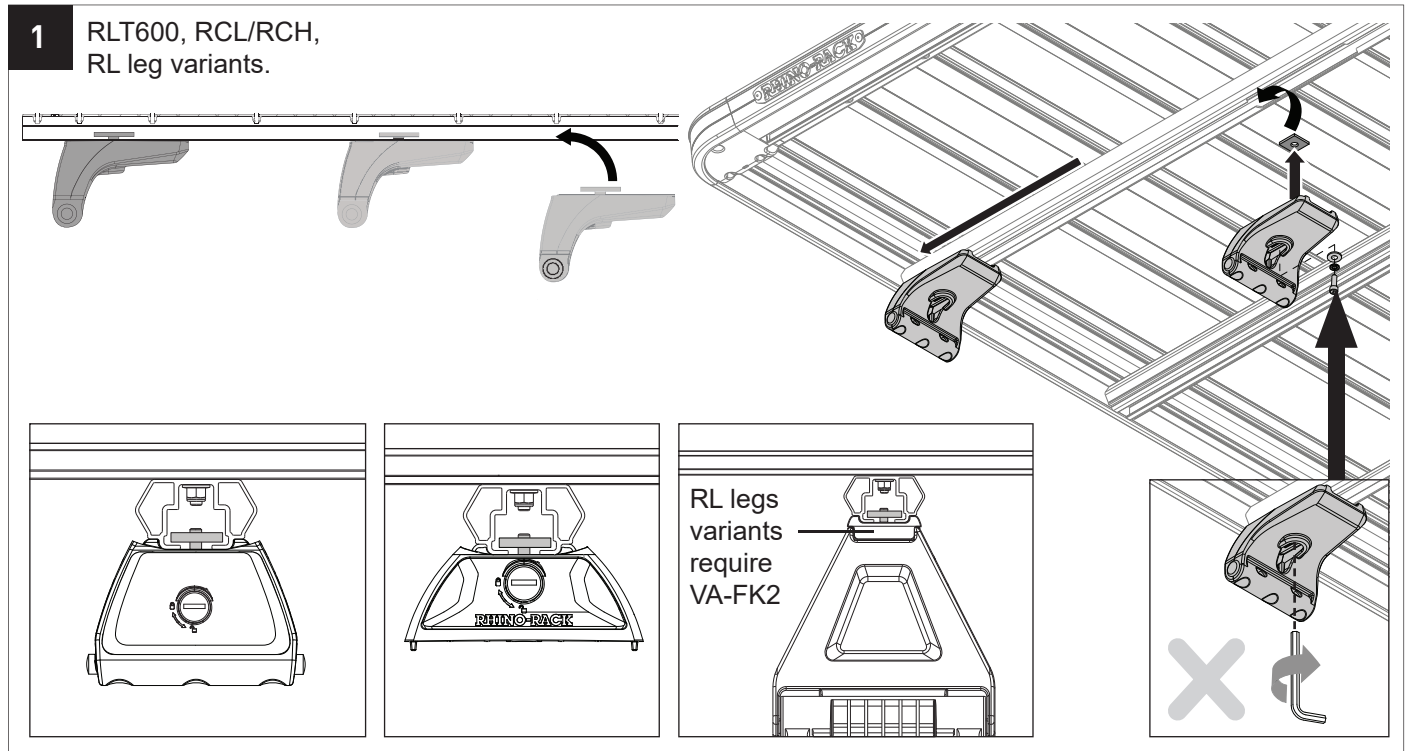
Document No: R2162
Issue No: 1
Issue Date: 19-Mar-20
These instructions remain the property of Rhino-Rack Australia Pty Ltd and may not be reproduced without their written permission.



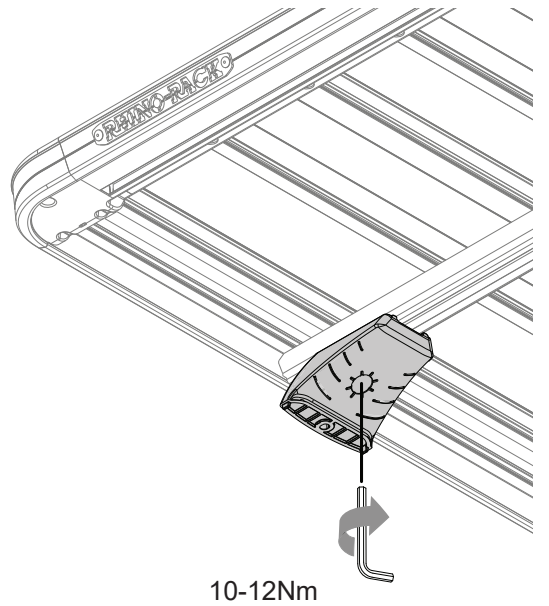
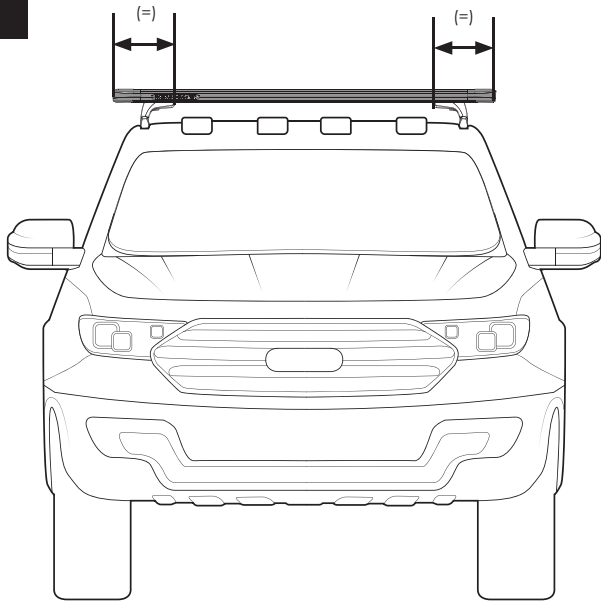
5



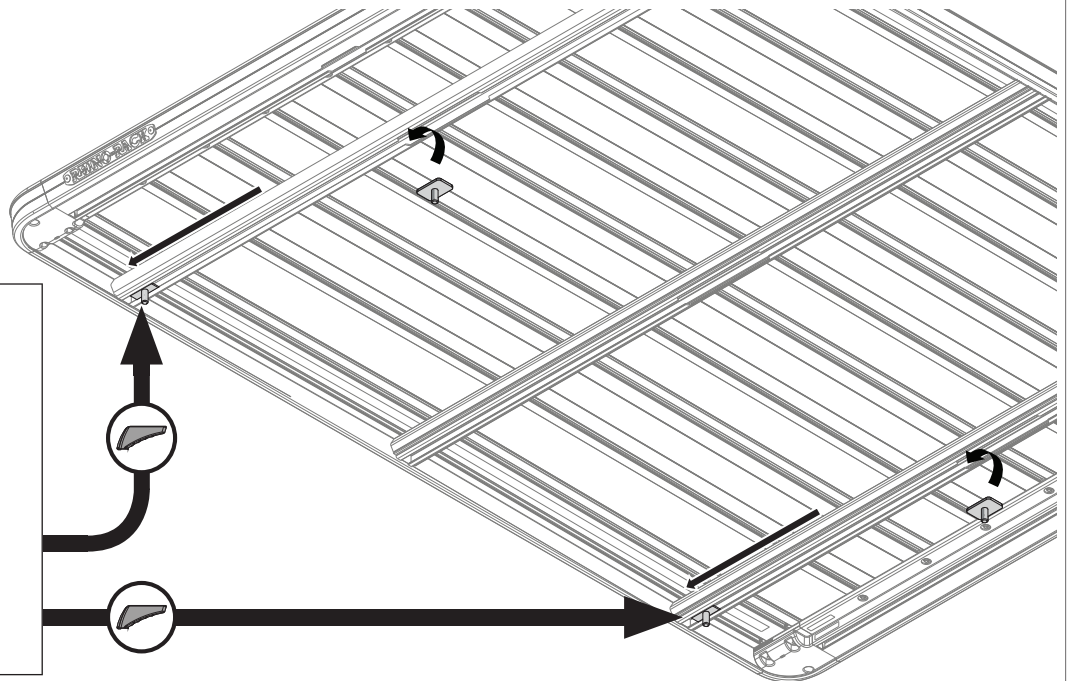
Pioneer Fully Assembled Instructions



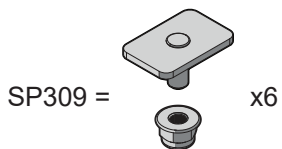
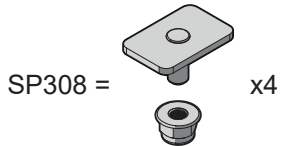
4



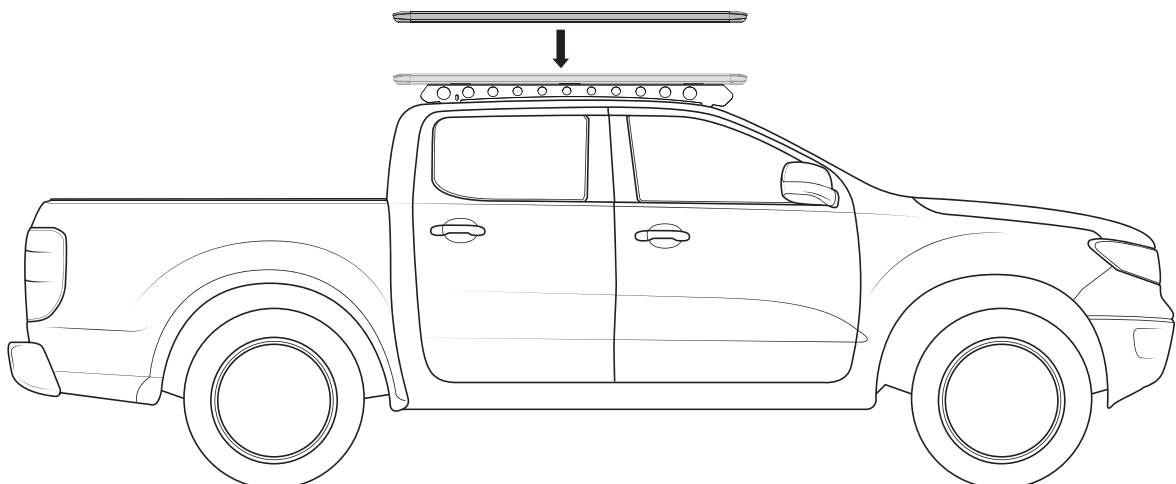
5A Backbone



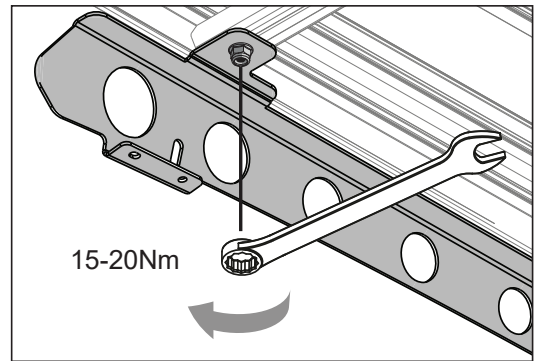
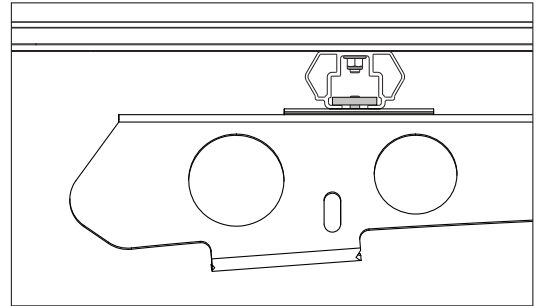
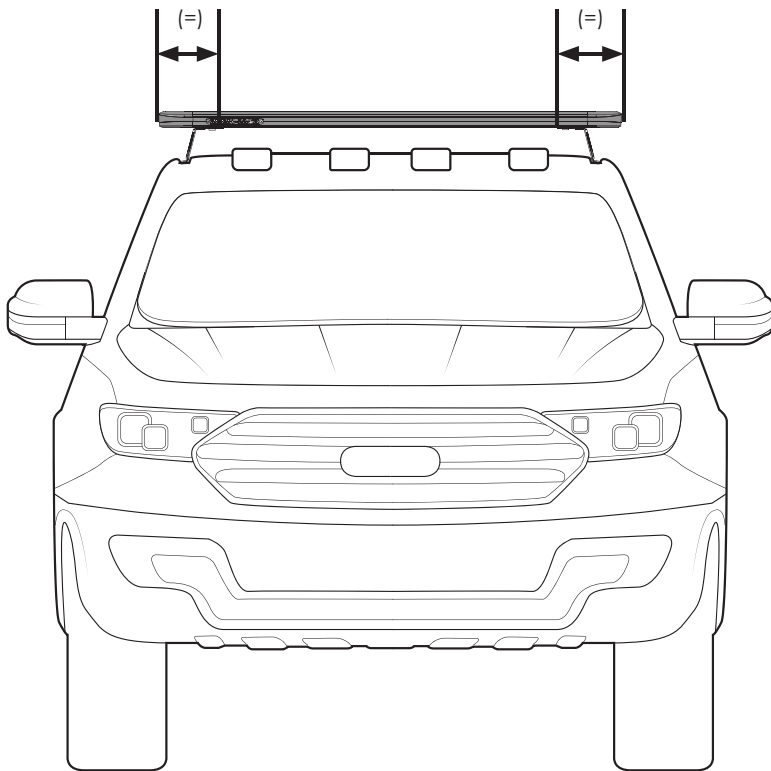
Platform dependant.



5B



5C



Note

RHINO-RACK
PIONEER NG ALLOY TRAY (assembled)

WARNING: Please Read Carefully to ensure proper use. The proper use of this product is essential for safe operation. Failure to follow the instructions may result in injury or property damage. For more information, please visit our website at rhinorack.com.

© 2018 Rhino-Rack, LLC. All rights reserved. Rhino-Rack, the Rhino-Rack logo, and PIONEER NG ALLOY TRAY are trademarks of Rhino-Rack, LLC. All other trademarks are the property of their respective owners.

Part No.: 1000000000

Model: 2018-2022
Part No.: 1000000000
Year: 2018-2022

RHINO-RACK | PIONEER VEHICLE FITTING INFORMATION

Model	Year	Capacity	Weight	Height	Length	Width
Pioneer	2018-2022	100kg	100kg	100mm	1000mm	1000mm

INSTALLATION SPECIFICATIONS

Item	Part No.	Quantity	Notes
Bracket	1000000000	2	One on each side of the roof rail.
Bolt	1000000000	2	One on each side of the roof rail.
Washer	1000000000	2	One on each side of the roof rail.
Lock Washer	1000000000	2	One on each side of the roof rail.
Key	1000000000	2	One on each side of the roof rail.

NOTES FOR INSTALLERS / FITTERS:

1. The roof rail must be clean and free of any debris or oil before installation.

2. The roof rail must be in good condition and able to support the weight of the tray.

3. The roof rail must be able to support the weight of the tray and any cargo.

4. The roof rail must be able to support the weight of the tray and any cargo.

5. The roof rail must be able to support the weight of the tray and any cargo.

